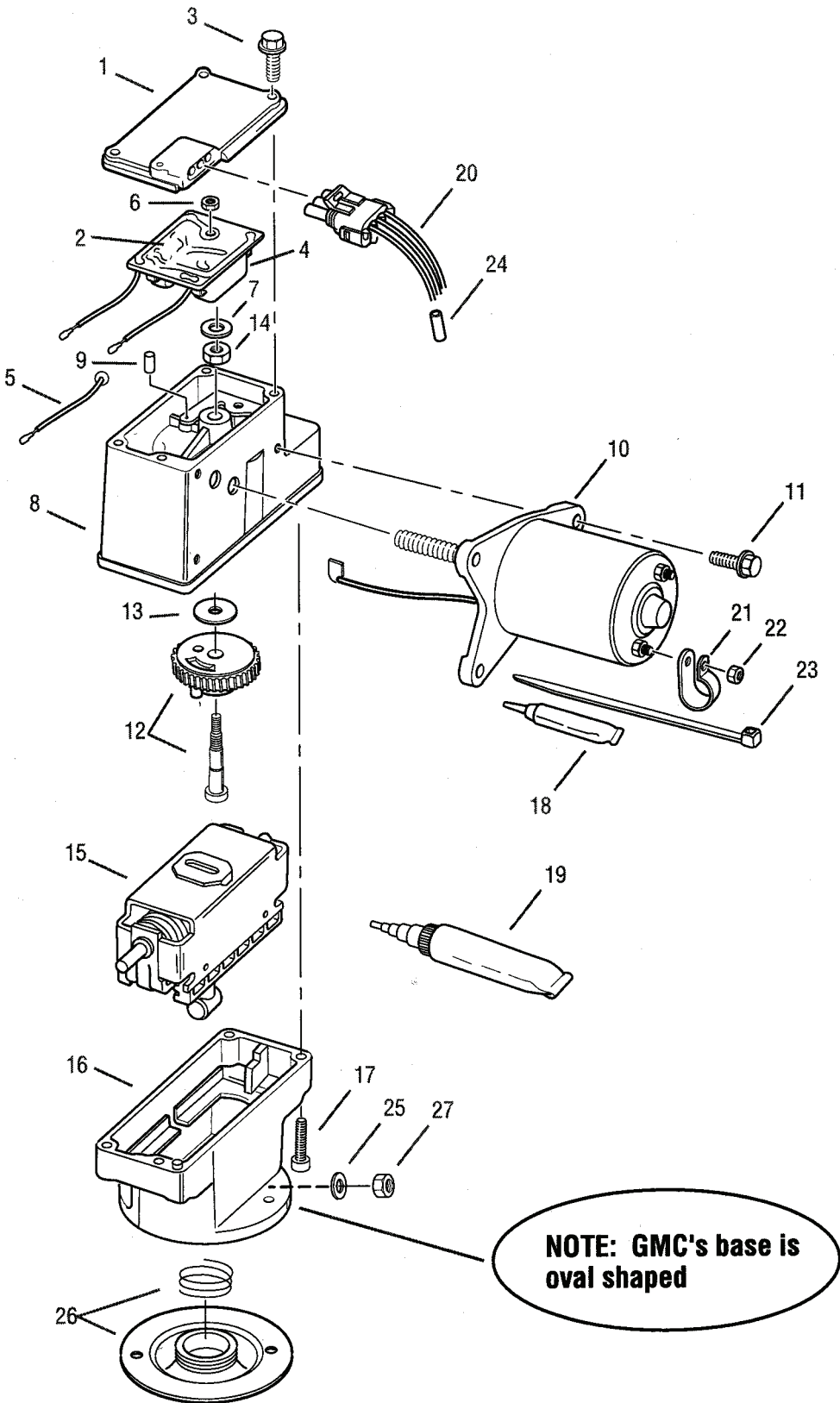


# Electric Shift Unit

## Electric Shift Unit



**NOTE: GMC's base is oval shaped**